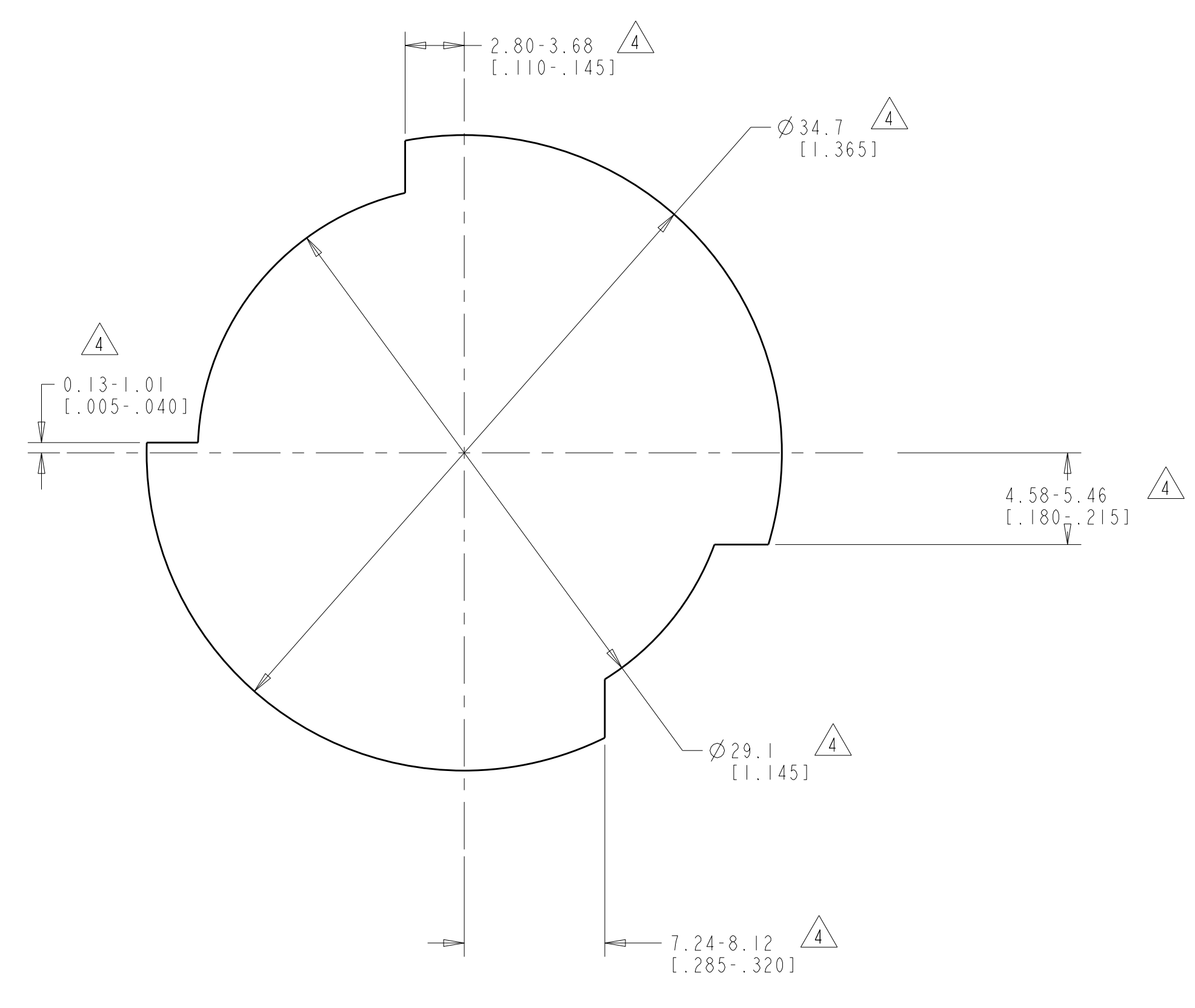
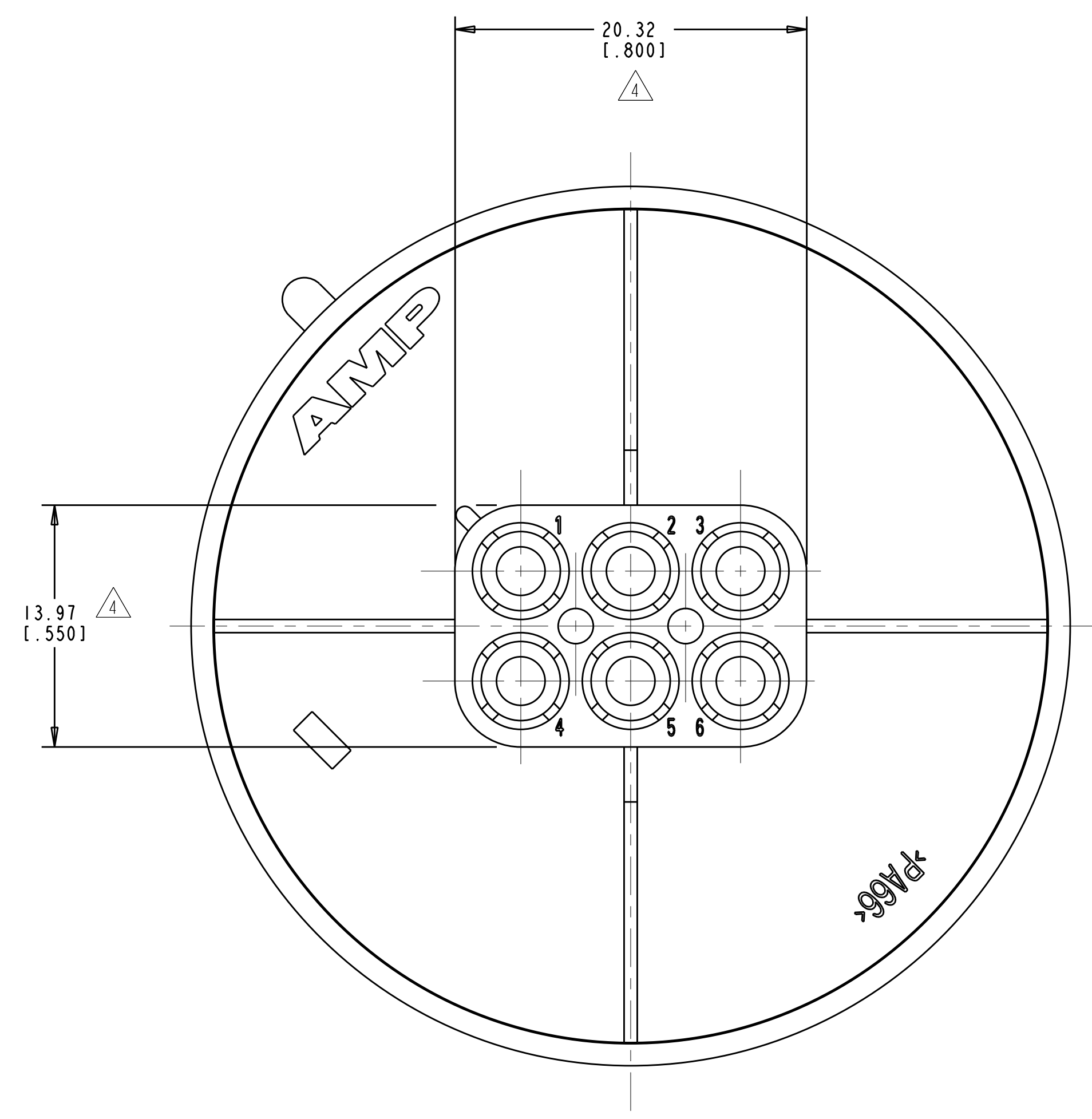
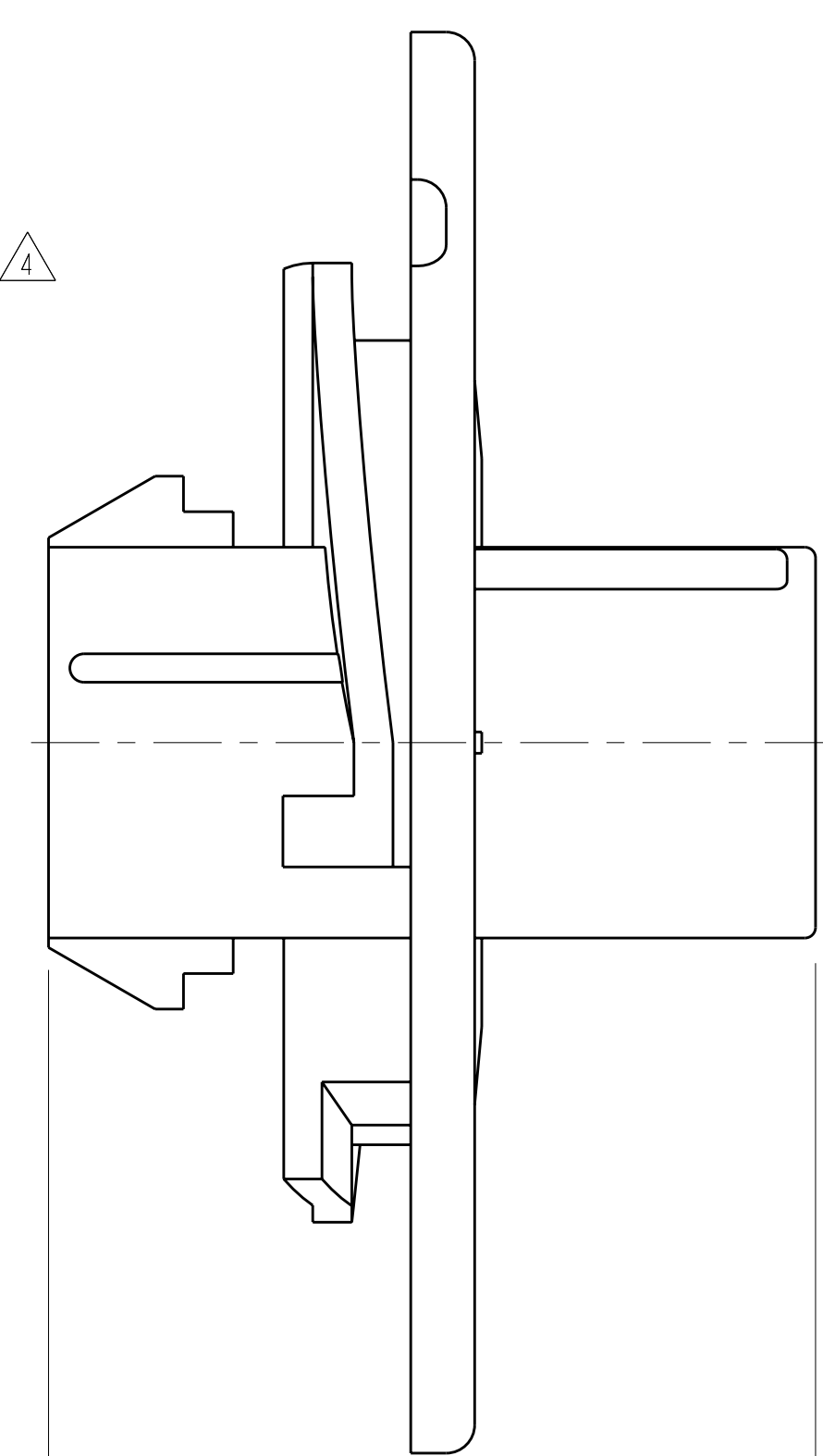
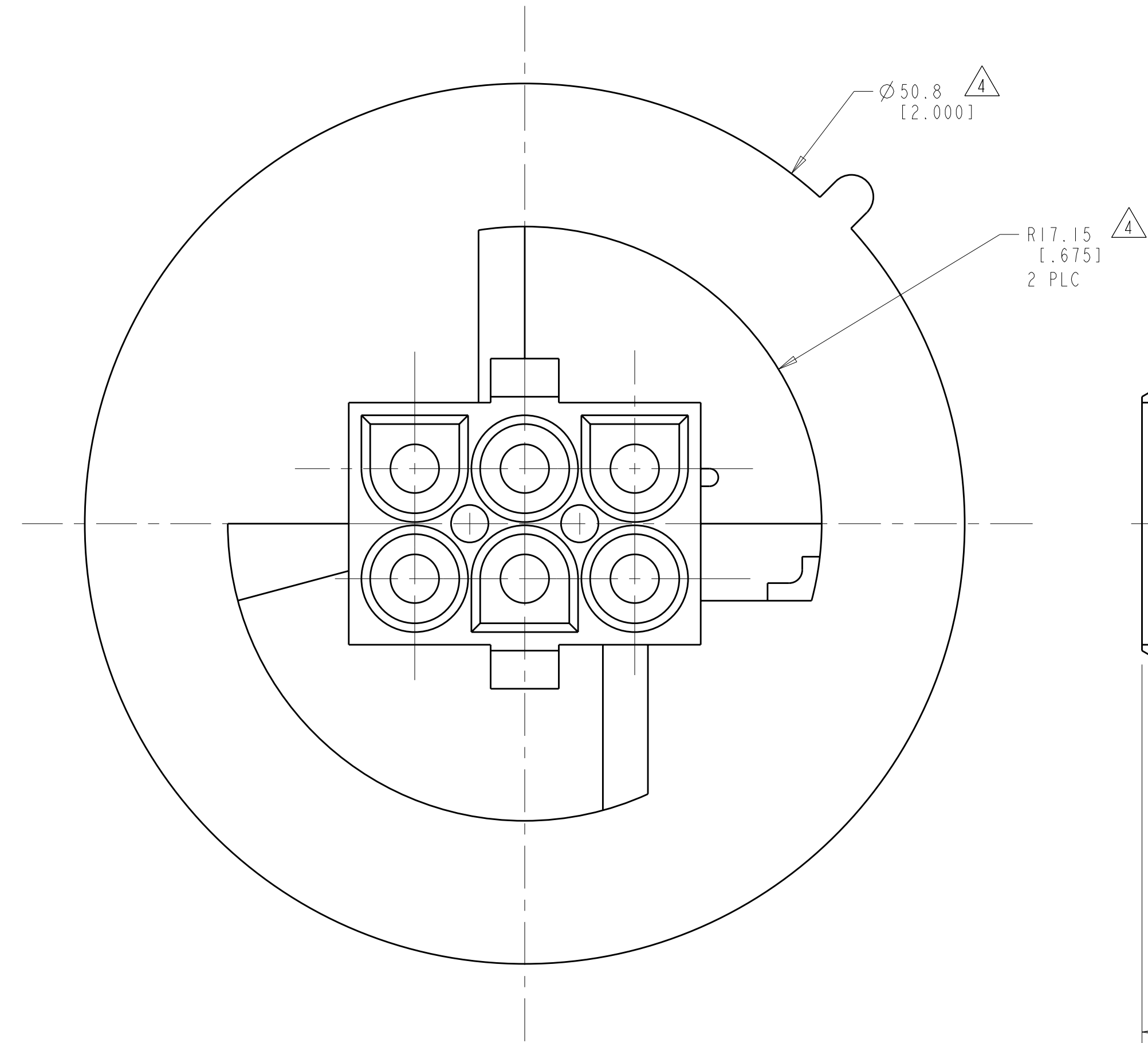
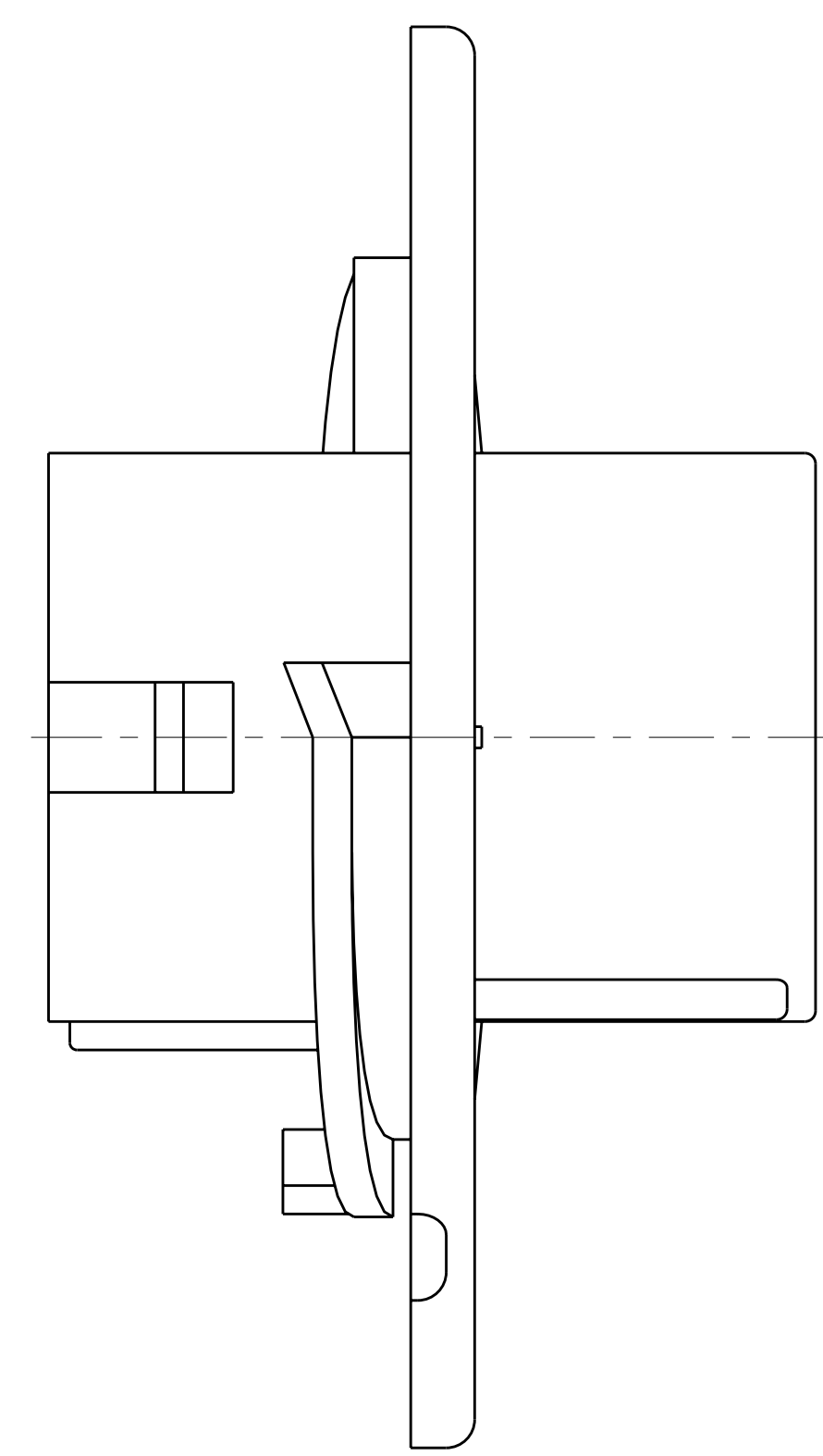


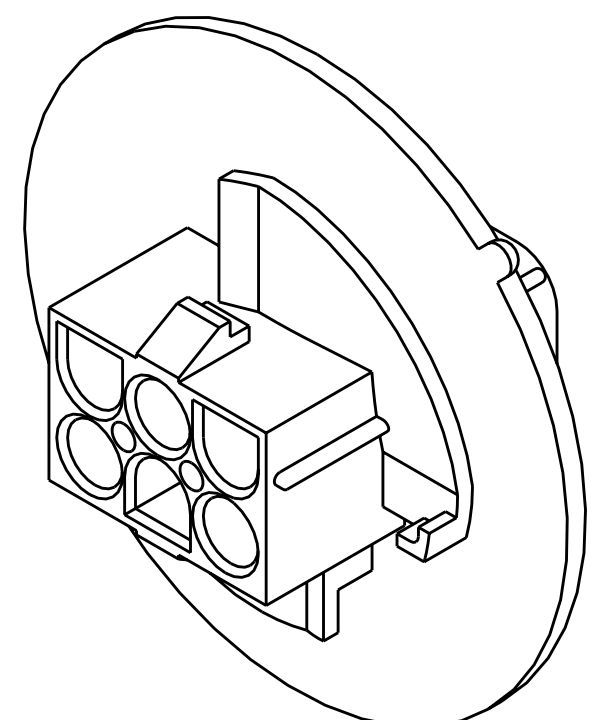
LOC	DIST	REVISIONS					
CM	00	P	LT#	DESCRIPTION	DATE	DWN	APVD
		D		REVISED PER ECO-06-023424	13OCT2006	KW	SR
		D1		REVISED PER ECO-06-024553	18OCT2006	KW	SR
		D2		REVISED PER ECO-06-028575	15DEC2006	KW	SR



RECOMMENDED CUT OUT



- MATES WITH APPROPRIATE UNIVERSAL MATE-N-LOK™ PLUG.
 - RECOMMENDED PANEL THICKNESS 0.76 - 2.29 [0.030 - .090].
 - PANEL MUST BE PUNCHED SO THAT THE HOUSING ENTERS THE PANEL IN THE SAME DIRECTION AS THE PUNCH.
- △ DIMENSIONS INDICATED ARE REFERENCE. ADDITIONAL GROWTH DUE TO SUBSEQUENT MOISTURE ABSORPTION MAY OCCUR.



3-DIMENSIONAL MODEL
SCALE 2:1

BLACK	1-794760-9
GRAY	1-794760-8
BLUE	1-794760-6
GREEN	1-794760-5
YELLOW	1-794760-4
ORANGE	1-794760-3
RED	1-794760-2
BROWN	1-794760-1
NATURAL	794760-1
COLOR	PART NUMBER

DIMENSIONS: mm [INCHES]		TOLERANCES UNLESS OTHERWISE SPECIFIED: 9 PLC ± 8 PLC ±0.13(.005) 5 PLC ± 4 PLC ± ANGLES ±40° 30'		DWN: K. WHITAKER 20-JUNE-2000 CHK: K. COBLE 20-JUNE-2000 APVD: K. COBLE 20-JUNE-2000		tyco Electronics AMP Incorporated Harrisburg, PA 17105-3608	
MATERIAL: NYLON UL 94V-0, WHITE		FINISH:		PRODUCT SPEC: APPLICATION SPEC: WEIGHT:		NAME: CAP. 6 CIRCUIT, UNIVERSAL MATE-N-LOK(TM), SPECIAL SIZE: CAGE CODE: DRAWING NO: A1100779 C=794760 CUSTOMER DRAWING SCALE: 4:1 SHEET 1 OF 1 REV: D2	

